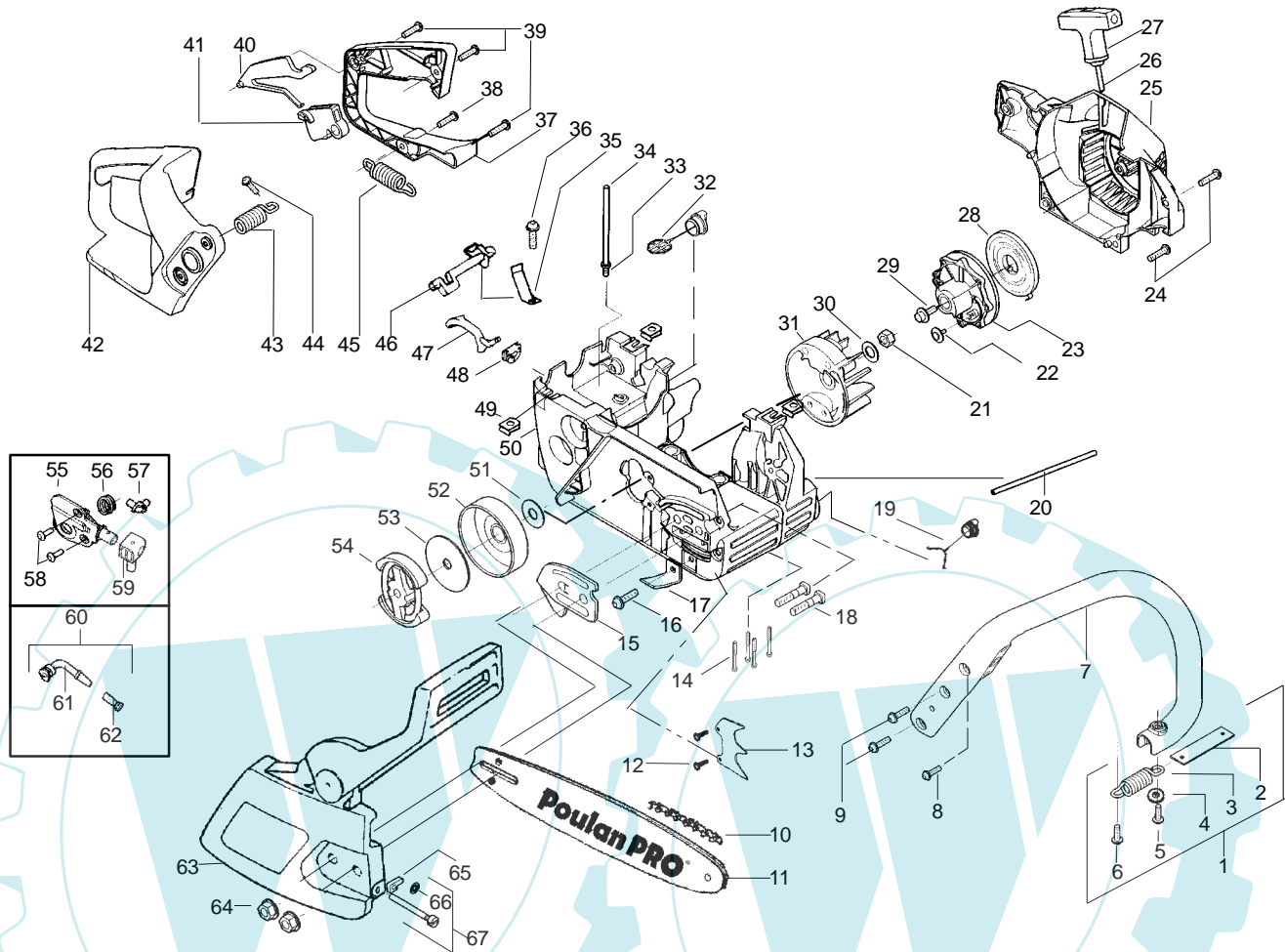


PARTS LIST NO. 545014351		Poulan PRO PARTS LIST	CHAIN SAW MODEL(s) 4016 EXPORT
DATE 11/01/05	NEW		PAGE NO. 1
Note: Illustration may differ from actual model due to design changes			

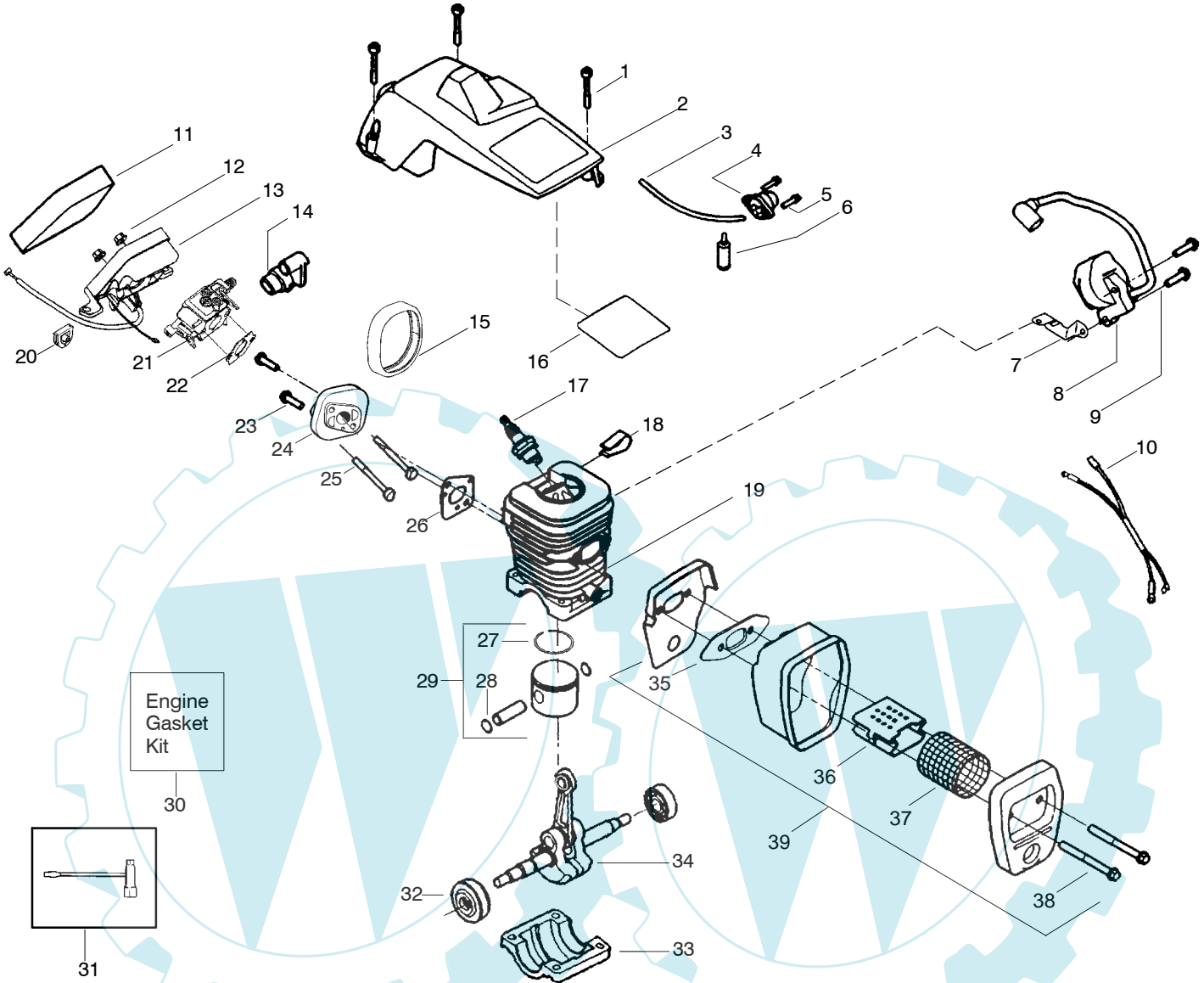


Ref.	Part No.	Description	Ref.	Part No.	Description	Ref.	Part No.	Description
1.	530059667	Assy.-Isolator	27.	530056402	Handle-Starter	53.	530015611	Washer-Clutch
2.	530047608	Limiter Strap	28.	530027531	Spring-Recoil	54.	530014949	Assy. Clutch
3.	530059668	Spring-Isolator	29.	530015920	Screw	55.	530071259	Kit - Oil Pump (incl. 56,57,59)
4.	530015158	Washer	30.	530015127	Washer-Flywheel	56.	530037820	Gear-Worm Spring
5.	530016018	Screw	31.	530047534	Assy-Flywheel	57.	530049477	Elbow-Oil Pickup
6.	530015843	Screw	32.	530047192	Assy-Fuel Cap	58.	530016064	Screw
7.	530047583	Front Handle	33.	530023877	Fitting-fuel line	59.	530019206	Seal Block
8.	530015940	Screw	34.	530069216	Kit-Fuel line (large)	60.	530047663	Assy-Oil Pick-up (Incl. 61,62)
9.	530015814	Screw	35.	530016149	Spring-Switch	61.	530038373	Pick-up Oiler
10.	952051211	Chain - 16"	36.	530015775	Screw	62.	530056533	Filter-Oil
11.	952044370	Bar - 16"	37.	530047581	Cover-Rear Handle	63.	530054739	Assy.-Chain Brake
12.	530016439	Screw	38.	530015886	Screw	64.	530015917	Nut-Bar Mounting
13.	530014381	Kit-Spike Assy. (Incl. #12)	39.	530015906	Screw	65.	530015826	Pin-Bar Adjust
14.	530016132	Screw	40.	530036098	Throttle Lockout	66.	530038593	Retainer
15.	530038238	Plate-Bar Mount.	41.	530036097	Trigger-Throttle	67.	530069611	Kit-Bar Adjusting (incl. # 65,66)
16.	530015814	Screw	42.	530047582	Handle - Rear			
17.	530029850	Chain Catcher	43.	530071958	Kit-Isolator (Upper)			
18.	530016133	Bolt-Bar	44.	530015875	Screw			
19.	530057236	Assy-Oil Cap	45.	530059668	Spring-Isolator			
20.	530071666	Kit-Oil Vent	46.	530057473	Lever-Switch			
21.	530016134	Nut-Flywheel	47.	530057474	Lever-Choke			
22.	530016080	Screw	48.	530049005	Grommet-Knob			
23.	530037817	Starter Pulley	49.	530015922	Nut-"U"-Type			
24.	530015892	Screw	50.	530071841	Kit-Chassis Assy. fuel lines and caps			
25.	530056333	Housing-Fan	51.	530015907	Washer-Thrust			
26.	530069232	Kit - Rope	52.	530047061	Assy.-Clutch Drum w/bearing			

✓ = NEW PART NUMBER FOR THIS IPL

★ = REFER TO THE SERVICE REFERENCE INDICATED FOR MORE INFORMATION. (LOCATED AT END OF IPL)

PARTS LIST NO. 545014351		Poulan PRO PARTS LIST	CHAIN SAW MODEL(S) 4016 EXPORT
DATE 11/01/05	NEW		NOTE: Illustration may differ from actual model due to design changes



Ref.	Part No.	Description	Ref.	Part No.	Description	Ref.	Part No.	Description
1.	530016153	Screw	21.	---	Kit - Carburetor	36.	530037813	Diffuser - Muffler
2.	530056914	Assy - Cylinder Shield (includes # 16)		530071820	Zama (W-20)	37.	530036103	Screen - Spark
3.	530069247	Kit - Fuel Line (Small)		530071821	Walbro (WT-662)	38.	530016132	Bolt - Muffler
4.	530071835	Kit - Purge Bulb (incl. #5)	Note: No Repair kits are available for these carburetors			39.	530047207	Assy - Muffler (Incl. 35,36,37,38)
5.	530015780	Screw	22.	530069608	Gasket - Carb. (kit)			Not Shown
6.	530095646	Assy - Fuel Pick-up	23.	530016386	Screw			
7.	530047442	Strap - Ground	24.	530049700	Carb. Adapter			
8.	530039167	Ignition Module	25.	530016187	Screw			
9.	530015814	Screw	26.	530069608	Gasket - Adaptor (kit)			
10.	530057475	Assy - Wire Harness	27.	530038729	Ring - Piston			
11.	530037793	Foam - Air Filter	28.	530015697	Retainer - Piston Pin			
12.	530016101	Nut	29.	530071408	Kit - Piston (Incl. 27 & 28)			
13.	530057702	Assy - Air Box	30.	530069608	Kit - Engine Gasket (Incl. 22, 26 & 35)			
14.	530035526	Grommet - Carb Adjust	31.	530031135	Scrench			
15.	530054144	Seal - Carb Adapter	32.	530056363	Assy - Seal & Bearing		545079798	Manual - Operator German
16.	530055698	Reflector - Heat	33.	530037935	Cap - Crankcase		545003009	Decal - Warning
17.	952030150	Spark Plug (RCJ-7Y)	34.	530047062	Assy - Crankshaft			
18.	530016136	Clip - High Tension Lead	35.	530069608	Gasket - Muffler (kit)			
19.	530012550	Cylinder						
20.	530047631	Grommet - Throttle Cable						

✓ = NEW PART NUMBER FOR THIS IPL

* = REFER TO THE SERVICE REFERENCE INDICATED FOR MORE INFORMATION. (LOCATED AT END OF IPL)